

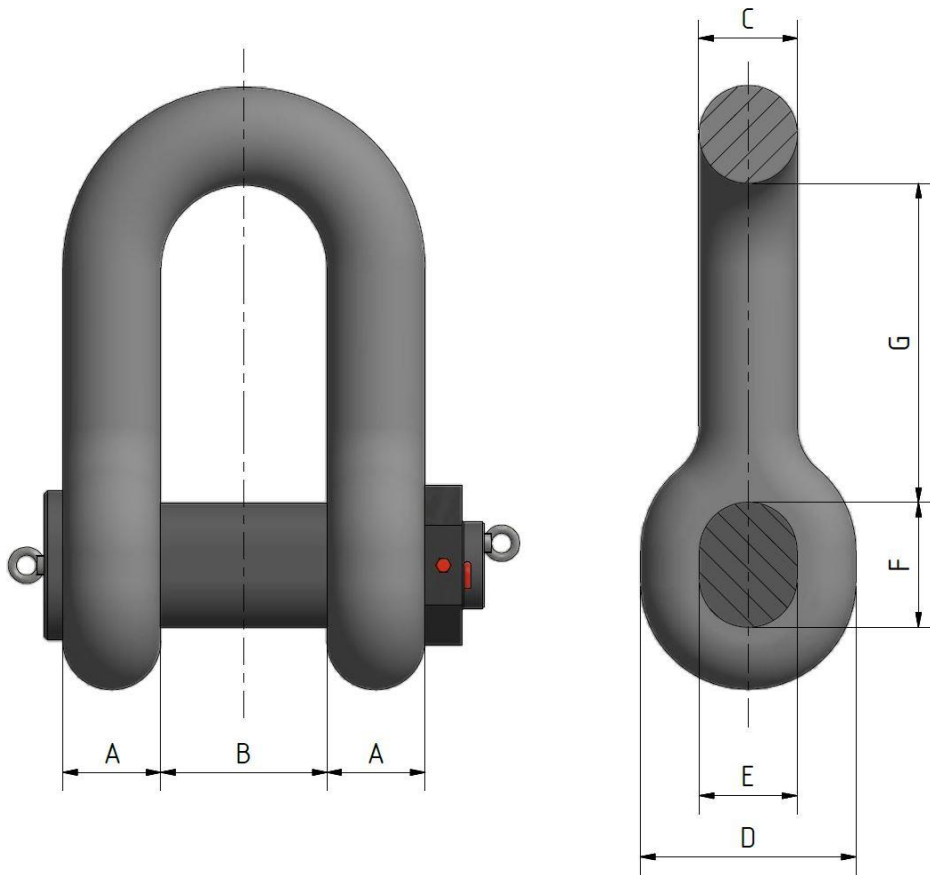
# Shackles



## Anchor Shackle

Offshore accessory to be used for LTM Temporary and Mobile Mooring

Bow and Pin dimensions according to ISO 1704



chain dia.	A	B	C	D	E	F	G
d	1,4 x d	2,4 x d	1,4 x d	3,1 x d	1,4 x d	1,8 x d	4,6 x d

Application: LTM, for connection of enlarged link to the anchor

Manufactured & Tested: in Germany by Feubo

Material: Forged Steel – all grades R3 to R5

Features: Double secured nut for LTM application